

OMNI MULTI-BAND SO-918-2

Base Station Antennas 868-960 & 1710-2170 MHz



SPECIFICATIONS

Electrical Data	SO-918-2 N-m	SO-918-2	SO-918-2 M1
Type	1/2 λ Dipole		
Frequency Range @ SWR ≤ 2.0	868 - 960 MHz (ISM, GSM 900) & 1.71 - 2.17 GHz (GSM 1.8, PCN, DECT, UMTS)		
Impedance	50 Ω		
Radiation (H-plane)	360° omnidirectional		
Radiation (E-plane) Beamwidth @ -3 dB	50°		
Radiation angle deg.	0°		
Polarization	Linear Vertical		
Gain	2.15 dBi		
Max Power (CW) @ 30° C	20 Watts		
Grounding Protection	All metal parts are DC-grounded, the inner conductor shows an open circuit		
Cable Type / Length	/	/	White Low Loss /5m, 16.4ft
Connector	N-male, gold plated pin	N-female, gold plated pin	SMA-male*
Mechanical Data			
Housing & Radome Material	Fiberglass, Chromed Brass, PCB		
Bracket & Hardware Material	/	Aluminium, Stainless steel	Stainless steel M1 bracket
Wind Load / Resistance	11 N @ 150 Km/h / 200 Km/h		
Wind Surface	0.01 m ²		
Height (approx.)	257 mm		
Weight (approx.)	350 gr		
Operating Temperature	-20 °C to +80 °C		
Ingress protection	IP 64		
Installation type	Direct Router Installation	Mast: Ø 35-54 mm, Ø 1.4-2.1 in with V-bolt	Wall: with mounting screws (not included)

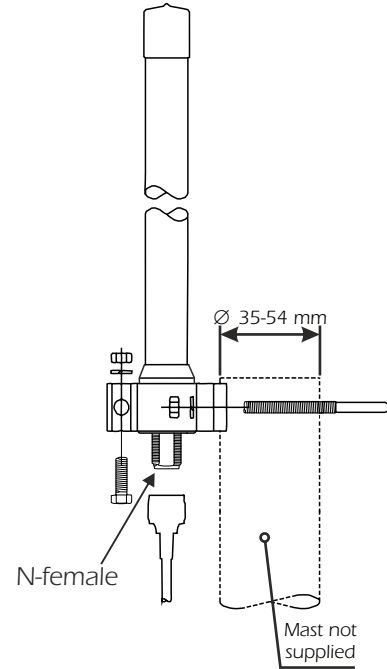
*other type on request

MOUNTING INSTRUCTIONS



MOUNTING INSTRUCTIONS

SO-918-2 N-F



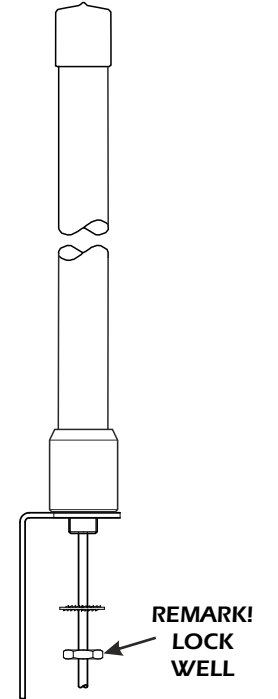
FT-5 bracket part list

Q.ty	Description
1	Extruded aluminium bracket
1	M6x188 V-bolt
1	M6x20 Exagonal head screw
3	M6 Spring lock washer
3	M6 Hexagonal nut
Materials:	extruded aluminum
Hardware:	stainless steel
Dimensions:	80 x 76 x 25 mm
Weight:	110 g
Re-order: P/N 2519613.00	

SA299 Optional Protection Nut



SO-918-2 M1



M1 fixing bracket:



M1 Fixing bracket

Materials:	Stainless steel
Dimensions:	38 x 64 x 98 mm
Weight:	120 g
Re-order code: 2503503.00	



SIRIO
antenne

HI-QUALITY ANTENNAS MADE IN ITALY