

# OMNI MULTI-BAND SO 4G LTE

Base Station Antennas 790-960 & 1710-2700 MHz

**UPGRADED:**  
Power rating  
increased



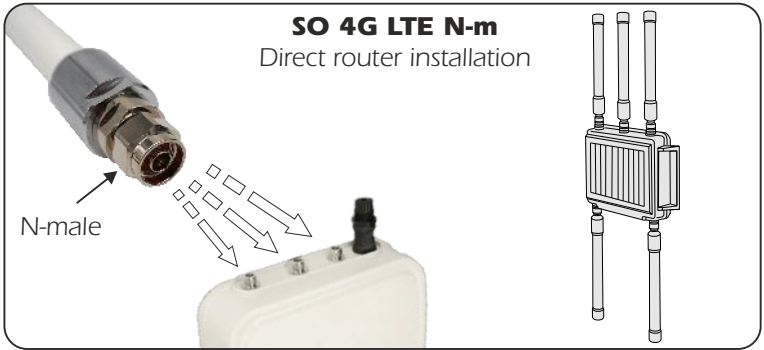
## SPECIFICATIONS

Electrical Data	SO 4G LTE N-m	SO 4G LTE N-f	SO 4G LTE cable
Type	Colinear Dipole Array		
Frequency Range @ SWR ≤ 2.2	790 - 960 MHz (LTE, ISM, GSM 900) & 1.71 - 2.7 GHz (GSM 1.8, PCN, DECT, UMTS, WLAN, LTE)		
Impedance	50 Ω		
Radiation (H-plane)	360° omnidirectional		
Radiation (E-plane)	Beamwidth @ -3 dB: see diagrams		
Radiation angle deg.	see diagrams		
Polarization	Linear Vertical		
Gain	2 dBi @ 790-960 MHz; 4 dBi @ 1.71-2.7 GHz		
Max Power (CW) @ 30° C	50 Watts	50 Watts	790-960 MHz: 50 Watts 1.71-2.7 GHz: 40 Watts
Cable Type / Length	/	/	Low Loss cable / 5m, 16.4 ft
Connector	N-m, gold plated pin	N-f, gold plated pin	SMA-m*

Mechanical Data			
Housing & Radome Material	Fiberglass, Anodized aluminium, Chromed Brass		
Bracket & Hardware Material	/	Aluminium, Stainless steel	Galvanized steel
Wind Load / Resistance	14 N @ 150 Km/h, 93 mi/h / 200 Km/h, 124 mi/h		
Wind Surface	0.011 m²; 0.12 ft²		
Height (approx.)	300 mm, 1 ft		
Weight (approx.)	230 gr, 0.5 lb (w/o bracket)	230 gr, 0.5 lb (w/o bracket)	495 gr, 1.1 lb (w/o bracket)
Operating Temperature	-30 °C to +70 °C		
Ingress Protection	IP 64		
Installation type	Direct Router Installation	Mast: Ø 35-54 mm, Ø 1.4-2.1 in with V-bolt	Mast: Ø35-42 mm, Ø1.4-1.65 in with U-bolt Wall: with screws (not included)

\*other type on request

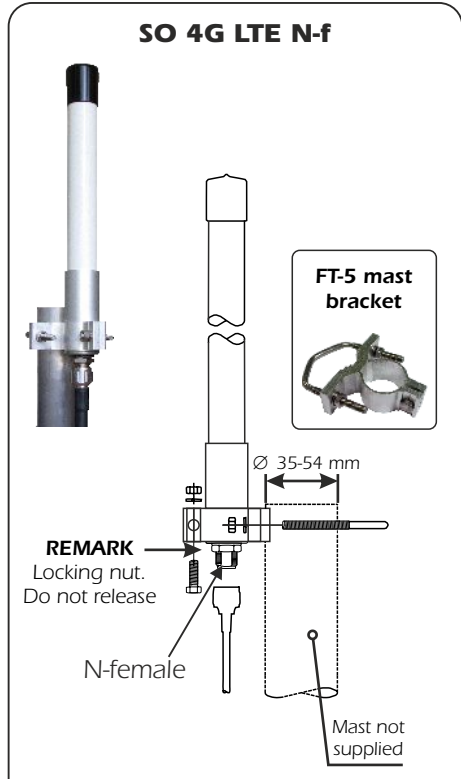
## MOUNTING INSTRUCTIONS



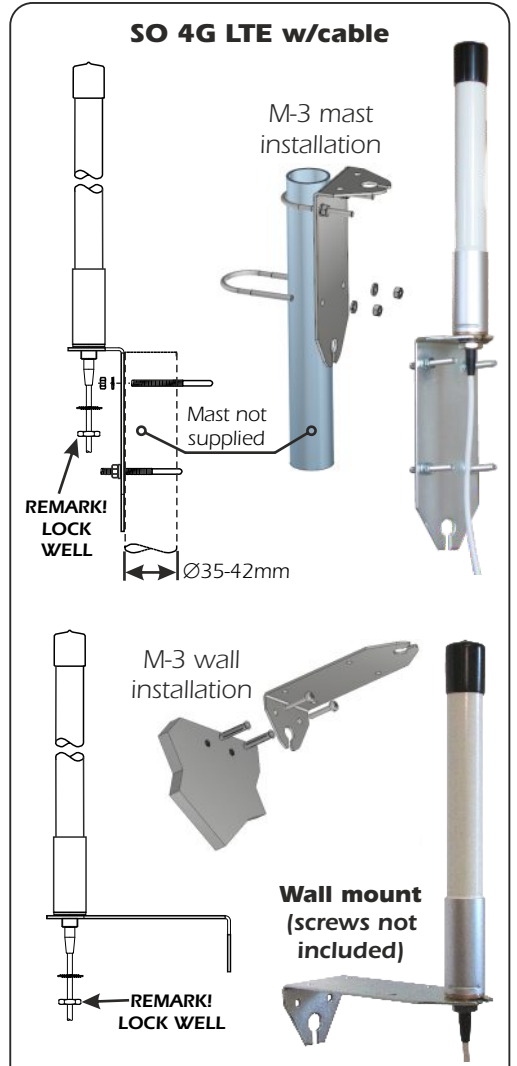
HI-QUALITY ANTENNAS MADE IN ITALY

ID454

## MOUNTING INSTRUCTIONS



FT-5 bracket part list	
Q.ty	Description
1	Extruded aluminium bracket
1	M6x188 V-bolt
1	M6x20 Exagonal head screw
3	M6 Spring lock washer
3	M6 Hexagonal nut
Materials:	extruded aluminum
Hardware:	stainless steel
Dimensions:	80 x 76 x 25 mm
Weight:	110 g
Re-order: P/N 2519613.00	



M-3 wall & mast BRACKET part list	
Q.ty	Description
2	M6 U-bolt
4	M6 Exagonal nut
4	M6 Flat washer
4	M6 Spring lock washer
1	Steel Bracket "M-3"
Materials:	galvanized steel
Dimensions:	195 x 60 x 70 mm
Weight:	420 g
Re-order: P/N 2503604.00	